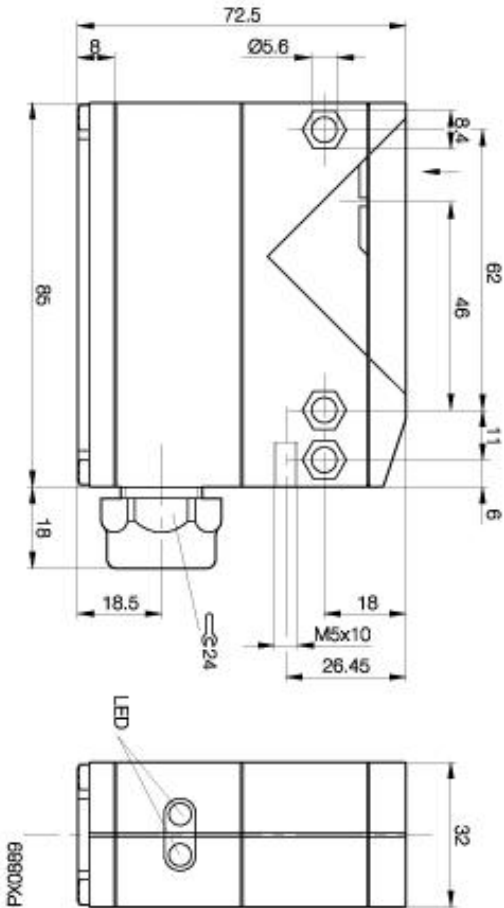


Photoelectric Sensor
BLS 65K-5-G50-1
Sn=50000mm
through-beam



Common Data

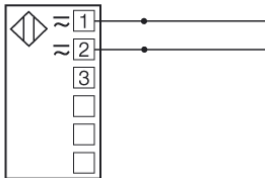
Series	65K
Sensortype	through-beam
Rated operating distance Sn in mm	50000
asured operating distance Sa	adjustable
Repeat accuracy	< 5% from Sn
Hysteresis	< 10%
Indication Switching element on	yes, red LED
Indication Special funktion	LED green Stability indicator
Ambient temperature	-20...+55°C
On-delay	< 2ms
Off-delay	< 2ms
Light	Infrared
Blind zone / min Reflector distance	0/-

Mechanical Data

Measurements	85x72,5x32
Shock	Halfsinus, 30gn, 11ms
Vibration	10...55Hz, 1,5mm Amplitude 3x2h
Housing material	Polycarbonat
Material of sensing face	PMMA
Degree of protection	IP67
Connection	Screw terminals
Weigth	160g

Electrical Data

Current	DC
Rated operational voltage Ue	24V DC
Supply Voltage	10...30V DC
Ripple	-
Frequency of Supply Voltage	DC
No-load supply current	<40mA
Voltage drop	<1,5V
Short protection	yes
Protected against polarity reversal	no
Rated insulation voltage	75V DC



Utilization categories
 Insulation class

DC 13

Datasheet number:

Definitions see general catalog.
 If not otherwise noted, ratings according to
 IEC 60947-5-2 (DIN EN60947-5-2)

Balluff GmbH
 Schurwaldstrasse 9
 73765 Neuhausen a.d.F.
 Phone (07158) 173-0 Fax (07158) 5010

Datenblatt by CD-ROM - 04/2007

BALLUFF
 sensors worldwide